

Specifications

[Ordering Information](#)

**Applications:**

In-Line & Submersion

**Maximum Flow Rate:**

10 ft (3 m) per second

**Output Impedance:**

< 250 megohms at 25°C





**Chemical-Resistant Wetted Materials**

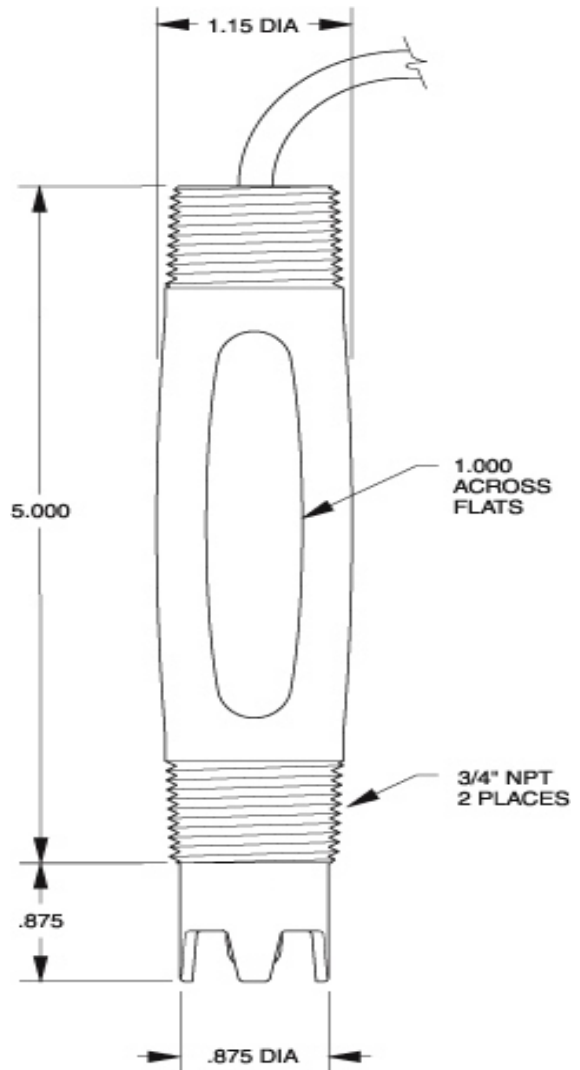
These high quality sensors are constructed of corrosion-resistant wetted materials including Ryton®, Teflon® and glass.

**Coaxial Porous Teflon® Reference Junction**

The large annular junction resists fouling. Additionally, the sealed, double-junction reference electrode is highly resistant to poisoning.

**Options Include:**

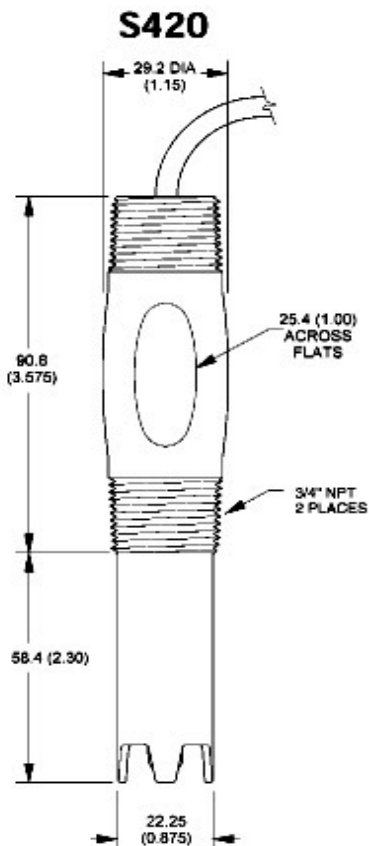
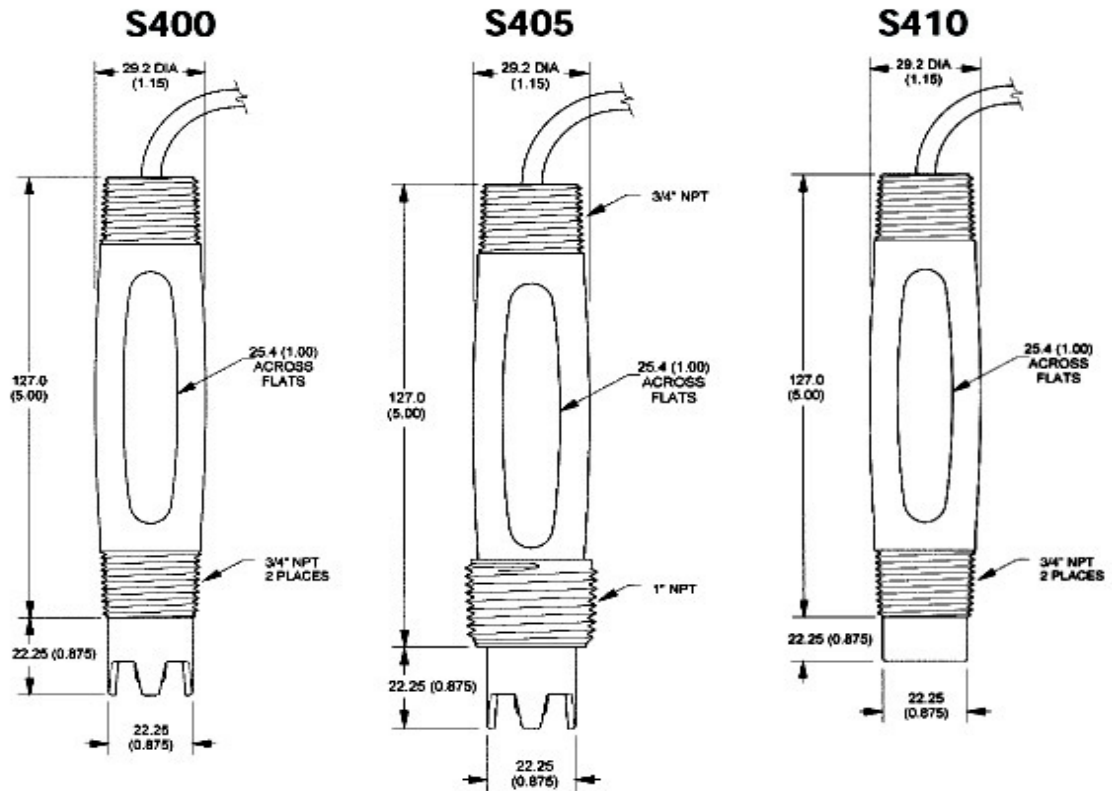
-  Built-in temperature compensation
-  Built-in solution ground
-  Custom cable lengths
-  Choice of cable connectors



**SPECIFICATIONS**

pH Range	0–14 pH Range
ORP Range	± 5000 mV
Temp Range	0–105°C
Max Pressure/Temp	150 psig at 100°C
Reference	Ag/AgCl
Wetted Materials	Ryton, Teflon and Glass
Standard cable length	10 feet

# S400 SERIES pH & REDOX SENSORS FOR THE PROCESS INDUSTRIES



## SENSOR TIP OPTIONS



### Coaxial Teflon Reference

Designed to withstand tough industrial applications. Best overall performance with rugged dome bulb.



### Flat pH Bulb Self Cleaning

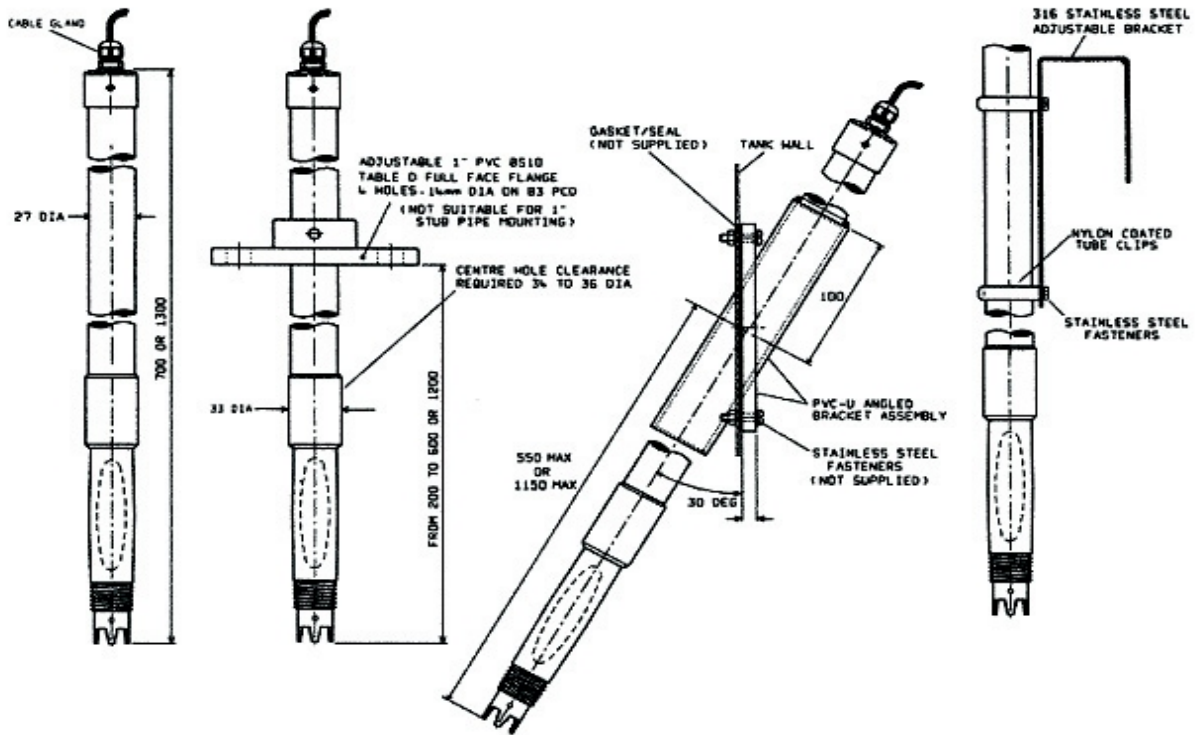
Designed for obstructionless contact with the sample stream for self cleaning service. Features coaxial porous teflon junction.



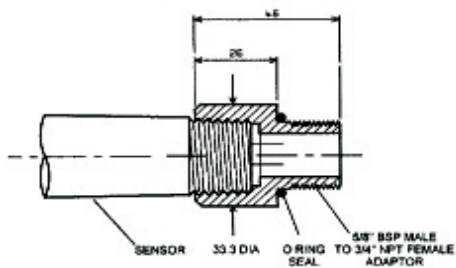
### Dual Ceramic Pin Junction

For use in highly alkaline processes. Best choice for use at high pressures

## DIP MOUNTING OPTIONS



## 5/8" ADAPTER



The 5/8" adapter allows the S400 electrode to be used as a direct replacement for the P90, R90, P12 and R12 sensors.

## FLEXI-DIP

